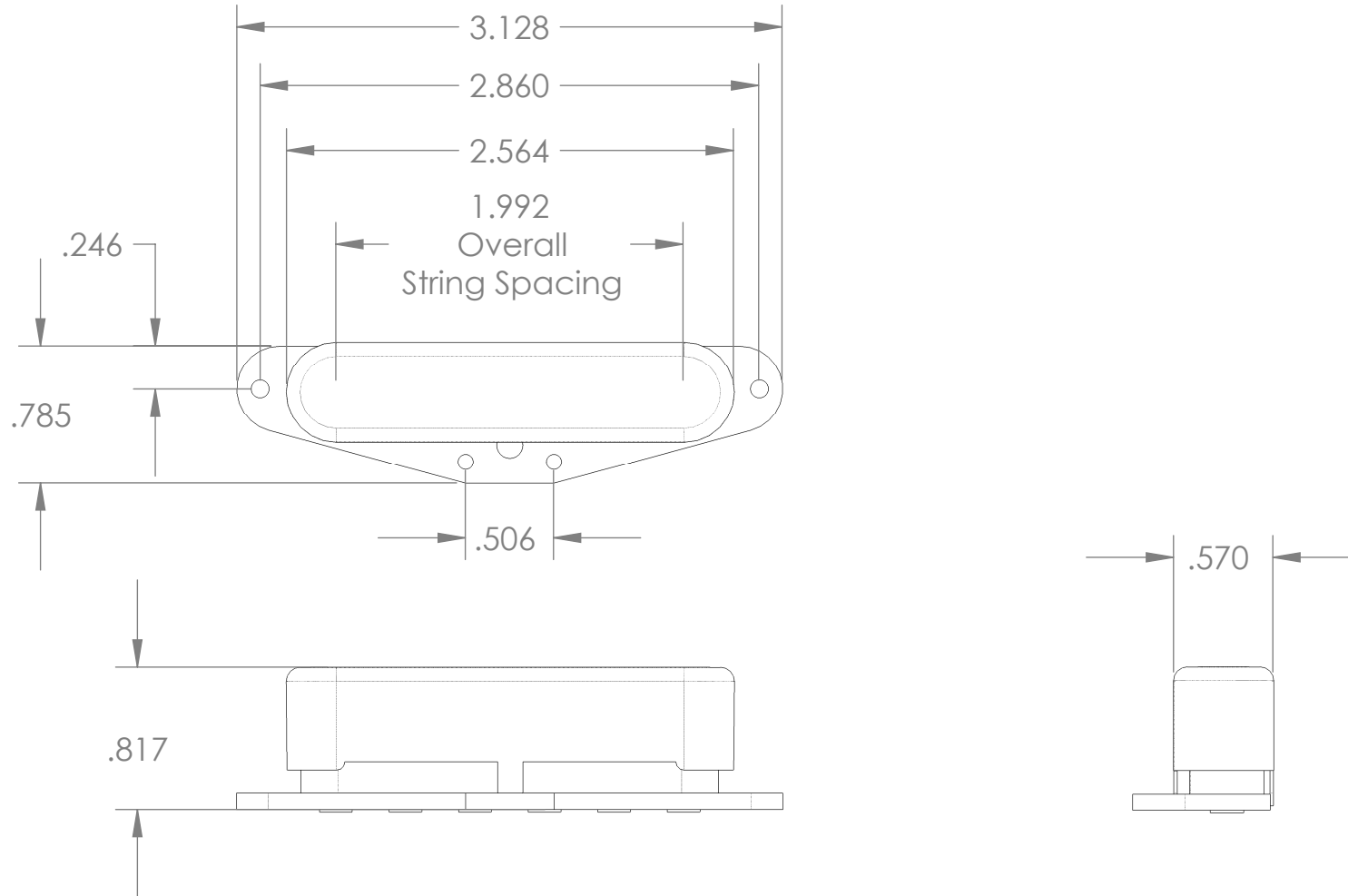


THE INFORMATION CONTAINED IN THIS DRAWING IS THE SOLE PROPERTY OF SEYMOUR DUNCAN RESEARCH. ANY REPRODUCTION IN PART OR WHOLE WITHOUT THE WRITTEN PERMISSION OF SEYMOUR DUNCAN RESEARCH IS PROHIBITED.



UNLESS OTHERWISE SPECIFIED DIMENSIONS ARE IN INCHES TOLERANCES ARE: FRACTIONS .XX ± .01 ± 1 DECIMALS .XXX ± .005 ANGLES ± 1	CAD GENERATED DRAWING, DO NOT MANUALLY UPDATE		SEYMOUR DUNCAN RESEARCH Profile Drawing STK-T1n		
	APPROVALS	DATE			SIZE
	DRAWN <i>James Stryker</i>	<i>7/18/05</i>	A	XXXXXXX	REV. 1
	CHECKED		Scale: 1:1		1 of 1
MATERIAL XXX	RESP ENG <i>Kevin Beller</i>				
FINISH XXX	MFG ENG				
DO NOT SCALE DRAWING	QUAL ENG				