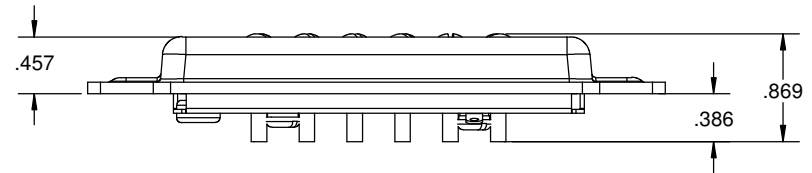
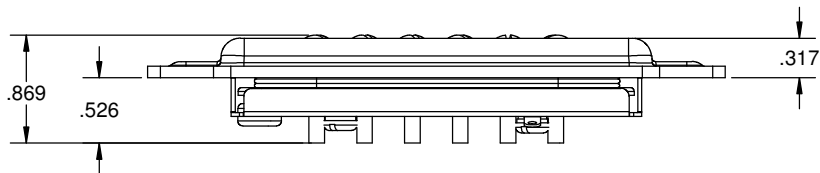
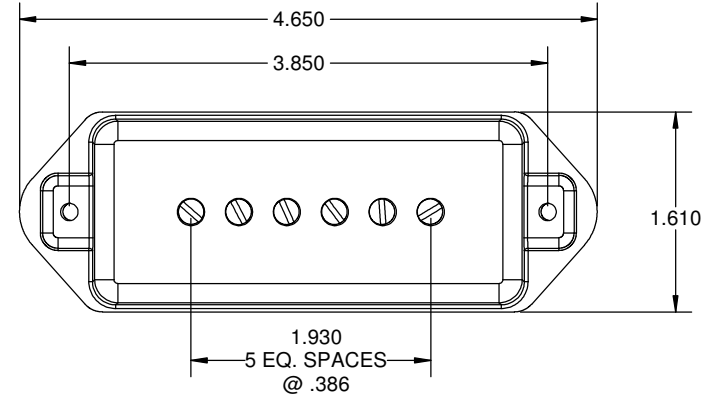
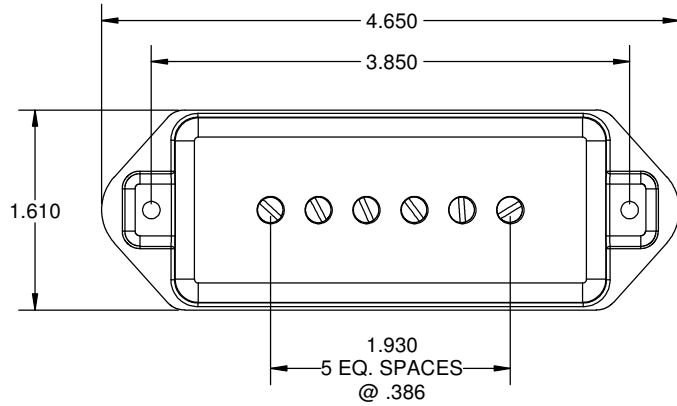


THE INFORMATION CONTAINED IN THIS DRAWING IS THE SOLE PROPERTY OF SEYMOUR DUNCAN RESEARCH. ANY REPRODUCTION IN PART OR WHOLE WITHOUT THE WRITTEN PERMISSION OF SEYMOUR DUNCAN RESEARCH IS PROHIBITED.

REV.	DESCRIPTION	DATE	APPROVED
1	Released	10/30/2018	RS



Neck Position

Bridge Position

UNLESS OTHERWISE SPECIFIED DIMENSIONS ARE IN INCHES TOLERANCES ARE: FRACTIONS DECIMALS ANGLES + .XX ± .01 ± 1 .XXX ± .005	CAD GENERATED DRAWING. DO NOT MANUALLY UPDATE		<b>SEYMOUR DUNCAN RESEARCH</b>	
	APPROVALS	DATE		
	DRAWN Rick S.	10/29/2018	<b>P-90 Dog Ear Envelope Dimensions</b>	
	CHECKED Kevin Beller			
MATERIAL	RESP ENG	SIZE B	DWG. NO.	REV. 1
FINISH	MFG ENG	SCALE: 1:2		SHEET 1 of 1
DO NOT SCALE DRAWING	QUAL ENG			