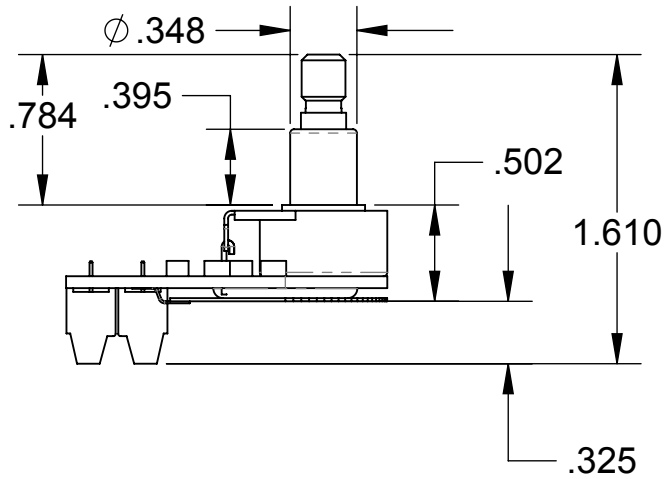
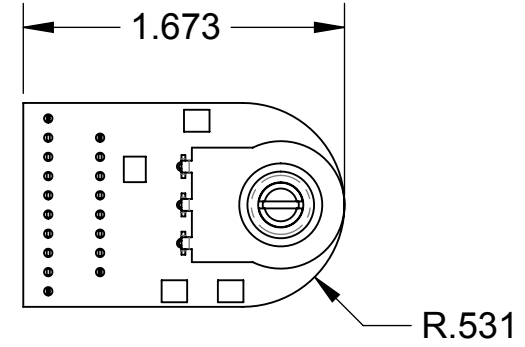
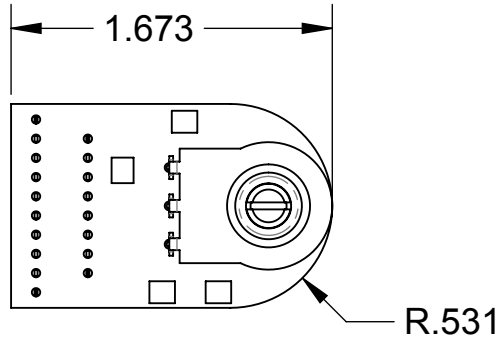
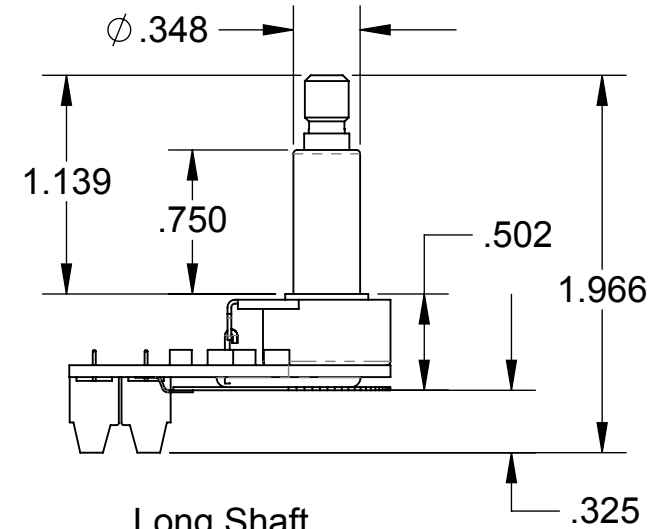


THE INFORMATION CONTAINED IN THIS DRAWING IS THE SOLE PROPERTY OF SEYMOUR DUNCAN RESEARCH. ANY REPRODUCTION IN PART OR WHOLE WITHOUT THE WRITTEN PERMISSION OF SEYMOUR DUNCAN RESEARCH IS PROHIBITED.

REVISIONS			
REV.	DESCRIPTION	DATE	APPROVED



Standard Shaft



Long Shaft

UNLESS OTHERWISE SPECIFIED DIMENSIONS ARE IN INCHES TOLERANCES ARE: FRACTIONS DECIMALS ANGLES .XX ± .01 ± 1 .XXX ± .005	CAD GENERATED DRAWING, DO NOT MANUALLY UPDATE		SEYMOUR DUNCAN RESEARCH		
	APPROVALS	DATE	Blackouts Modular Preamp Envelope Drawing		
DRAWN <i>C. Scott Forbes</i>	<i>8 Aug 11</i>	SIZE A			DWG. NO. XXXXXX
CHECKED		Scale: 1:1			REV. 1
MATERIAL XXX	RESP ENG <i>Kevin Beller</i>				1 of 1
FINISH XXX	MFG ENG				
DO NOT SCALE DRAWING	QUAL ENG				