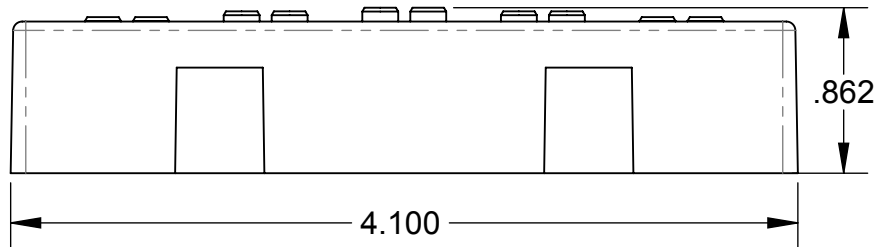
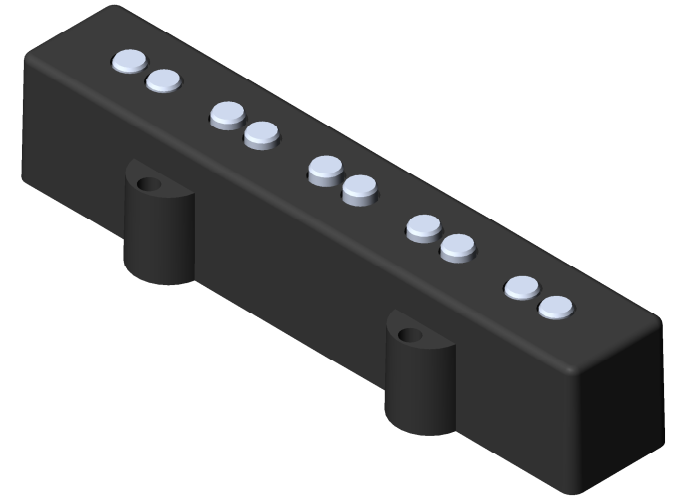
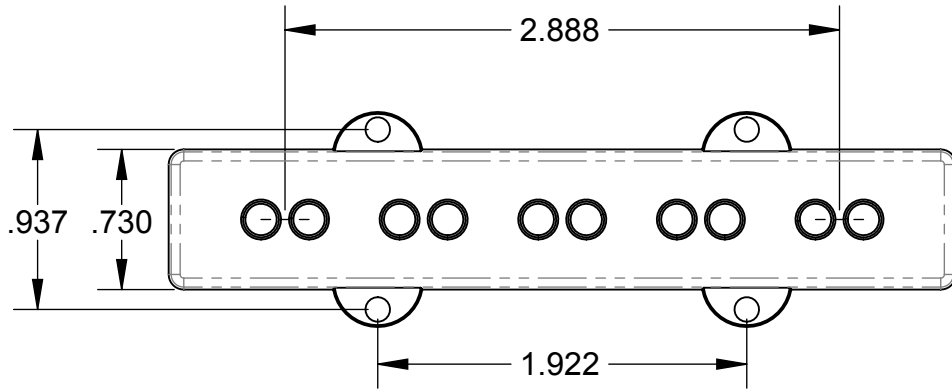


THE INFORMATION CONTAINED IN THIS DRAWING IS THE SOLE PROPERTY OF SEYMOUR DUNCAN RESEARCH. ANY REPRODUCTION IN PART OR WHOLE WITHOUT THE WRITTEN PERMISSION OF SEYMOUR DUNCAN RESEARCH IS PROHIBITED.

REVISIONS			
REV.	DESCRIPTION	DATE	APPROVED



UNLESS OTHERWISE SPECIFIED
DIMENSIONS ARE IN INCHES
TOLERANCES ARE:
FRACTIONS DECIMALS ANGLES
.XX ± .01 ± 1
.XXX ± .005

MATERIAL
FINISH
DO NOT SCALE DRAWING

CAD GENERATED DRAWING,
DO NOT MANUALLY UPDATE

APPROVALS	DATE
DRAWN <i>Steven C.</i>	8/14/2015
CHECKED	

RESP ENG
Kevin Beller
MFG ENG
QUAL ENG

SEYMOUR DUNCAN RESEARCH

Profile Drawing
Fender 5 Bridge - 74mm

SIZE	DWG. NO.	REV.
A	2	1

SCALE : 1:1 Sheet 1 of 1