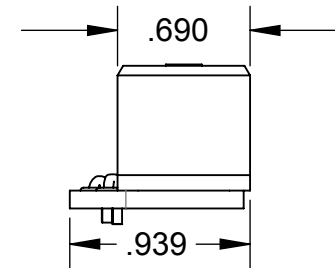
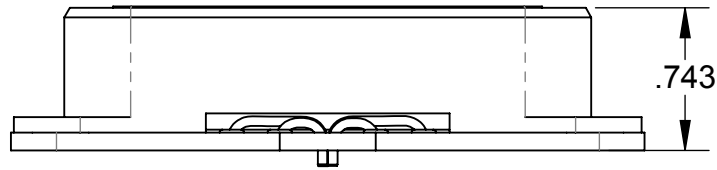
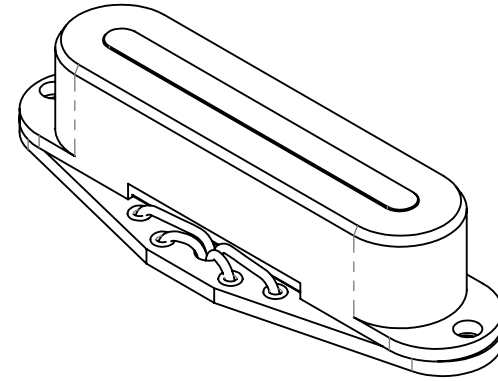
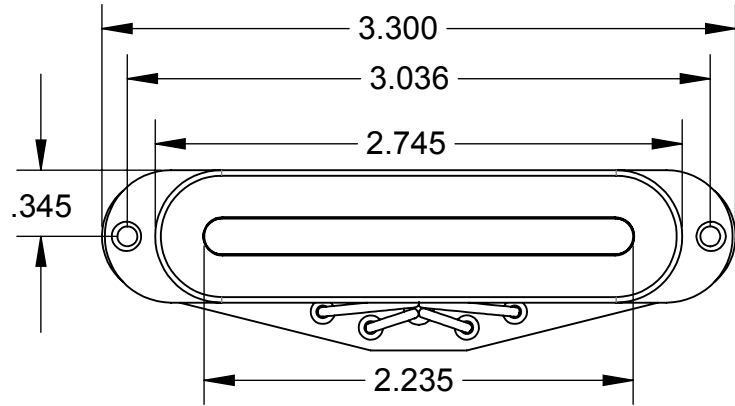


THE INFORMATION CONTAINED IN THIS DRAWING IS THE SOLE PROPERTY OF SEYMOUR DUNCAN RESEARCH. ANY REPRODUCTION IN PART OR WHOLE WITHOUT THE WRITTEN PERMISSION OF SEYMOUR DUNCAN RESEARCH IS PROHIBITED.

REVISIONS			
REV.	DESCRIPTION	DATE	APPROVED



UNLESS OTHERWISE SPECIFIED
DIMENSIONS ARE IN INCHES
TOLERANCES ARE:
FRACTIONS DECIMALS ANGLES
.XX ± .01 ± 1
.XXX ± .005

CAD GENERATED DRAWING,
DO NOT MANUALLY UPDATE

APPROVALS	DATE
DRAWN <i>Steven C.</i>	7/16/2014
CHECKED	

SEYMOUR DUNCAN RESEARCH

Envelope Drawing
Strat Hot Stack

MATERIAL

RESP ENG
Kevin Beller

FINISH

MFG ENG

DO NOT SCALE DRAWING

QUAL ENG

SIZE	DWG. NO.	REV.
A		

SCALE: 1:1 Sheet 1 of 1