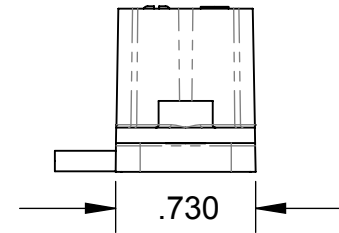
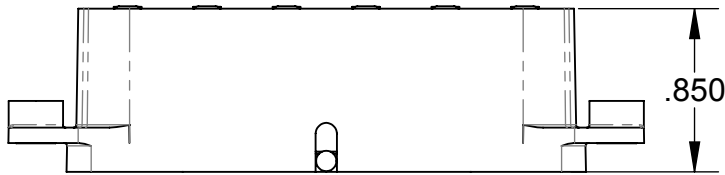
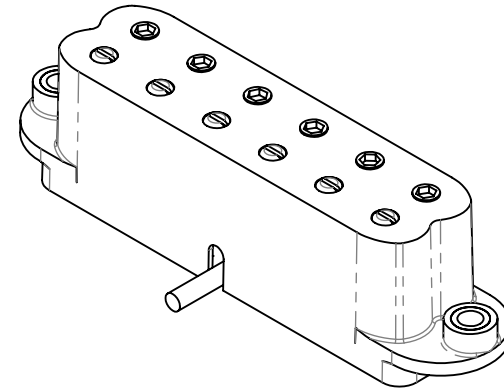
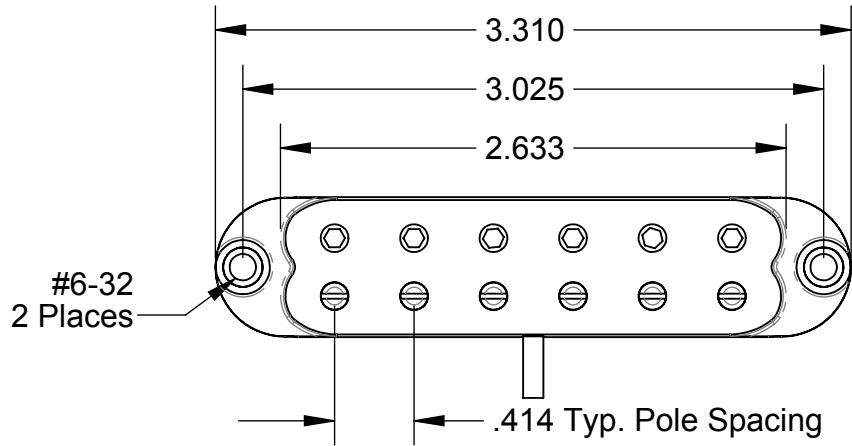


THE INFORMATION CONTAINED IN THIS DRAWING IS THE SOLE PROPERTY OF SEYMOUR DUNCAN RESEARCH. ANY REPRODUCTION IN PART OR WHOLE WITHOUT THE WRITTEN PERMISSION OF SEYMOUR DUNCAN RESEARCH IS PROHIBITED.

REVISIONS			
REV.	DESCRIPTION	DATE	APPROVED



UNLESS OTHERWISE SPECIFIED DIMENSIONS ARE IN INCHES TOLERANCES ARE: FRACTIONS DECIMALS ANGLES .XX ± .01 ± 1 .XXX ± .005	CAD GENERATED DRAWING, DO NOT MANUALLY UPDATE		SEYMOUR DUNCAN RESEARCH	
	APPROVALS	DATE		
	DRAWN <i>Steven C.</i>	7/9/2014	Envelope Drawing Lil' Screamin' Demon	
	CHECKED			
MATERIAL	RESP ENG <i>Kevin Beller</i>		SIZE A	DWG. NO.
FINISH	MFG ENG		SCALE: 1:1	REV.
DO NOT SCALE DRAWING	QUAL ENG		Sheet 1 of 1	