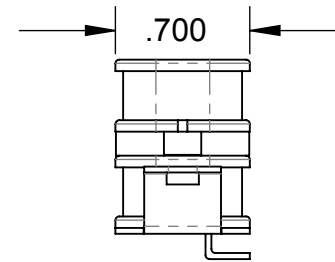
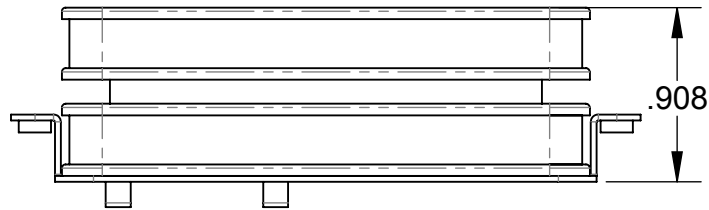
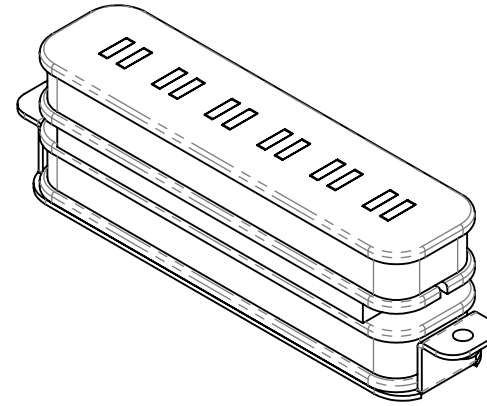
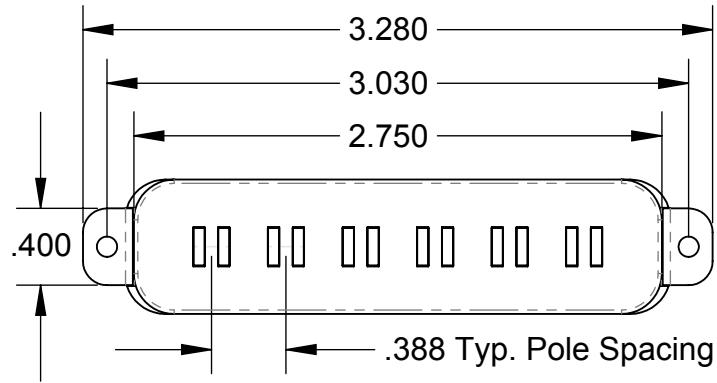


THE INFORMATION CONTAINED IN THIS DRAWING IS THE SOLE PROPERTY OF SEYMOUR DUNCAN RESEARCH. ANY REPRODUCTION IN PART OR WHOLE WITHOUT THE WRITTEN PERMISSION OF SEYMOUR DUNCAN RESEARCH IS PROHIBITED.

| REVISIONS | | | |
|-----------|-------------|------|----------|
| REV. | DESCRIPTION | DATE | APPROVED |
| | | | |
| | | | |
| | | | |



| | | | | |
|--|--|-----------|--|--|
| UNLESS OTHERWISE SPECIFIED DIMENSIONS ARE IN INCHES TOLERANCES ARE: FRACTIONS DECIMALS ANGLES .XX ± .01 ± 1 .XXX ± .005 | CAD GENERATED DRAWING, DO NOT MANUALLY UPDATE | | SEYMOUR DUNCAN RESEARCH Envelope Drawing PA-STK1n/m | |
| | APPROVALS | DATE | | |
| | DRAWN <i>Steven C.</i> | 7/15/2014 | SIZE DWG. NO. REV. A | |
| | CHECKED | | SCALE : 1:1 Sheet 1 of 1 | |
| MATERIAL | RESP ENG <i>Kevin Beller</i> | | | |
| FINISH | MFG ENG | | | |
| DO NOT SCALE DRAWING | QUAL ENG | | | |