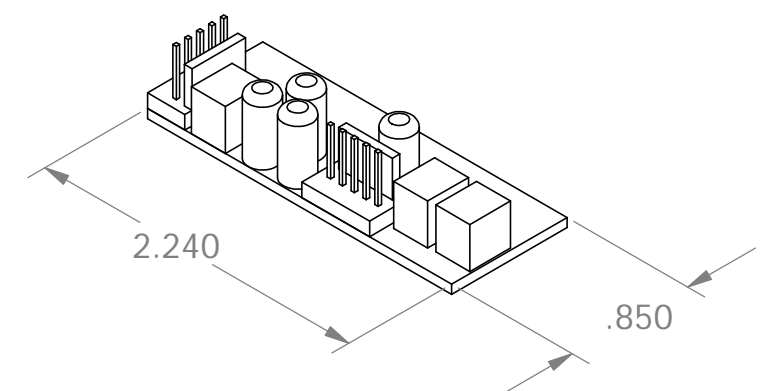
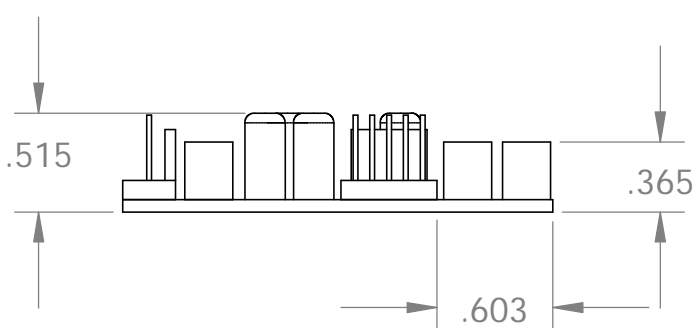
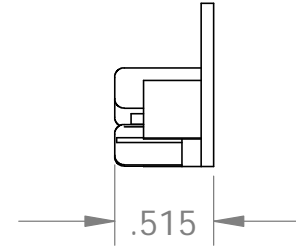
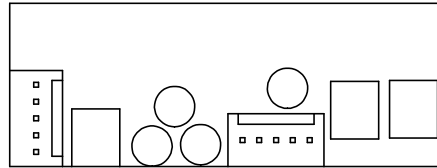


THE INFORMATION CONTAINED IN THIS DRAWING IS THE SOLE PROPERTY OF SEYMOUR DUNCAN RESEARCH. ANY REPRODUCTION IN PART OR WHOLE WITHOUT THE WRITTEN PERMISSION OF SEYMOUR DUNCAN RESEARCH IS PROHIBITED.



Applies to:
 STC-3a
 STC-3p
 STC-3M3
 STC-3M4

UNLESS OTHERWISE SPECIFIED DIMENSIONS ARE IN INCHES TOLERANCES ARE: FRACTIONS DECIMALS ANGLES .XX ± .01 ± 1 .XXX ± .005	CAD GENERATED DRAWING, DO NOT MANUALLY UPDATE		SEYMOUR DUNCAN RESEARCH		
	APPROVALS	DATE			
	MATERIAL	DRAWN <i>James Stryker</i>	9/14/04	Profile Drawing STC-3	
	FINISH	CHECKED			
DO NOT SCALE DRAWING	RESP ENG <i>Kevin Beller</i> MFG ENG		SIZE A		
	QUAL ENG		SCALE : 1:1	FILE: ENGR:\	Sheet 1 of 1