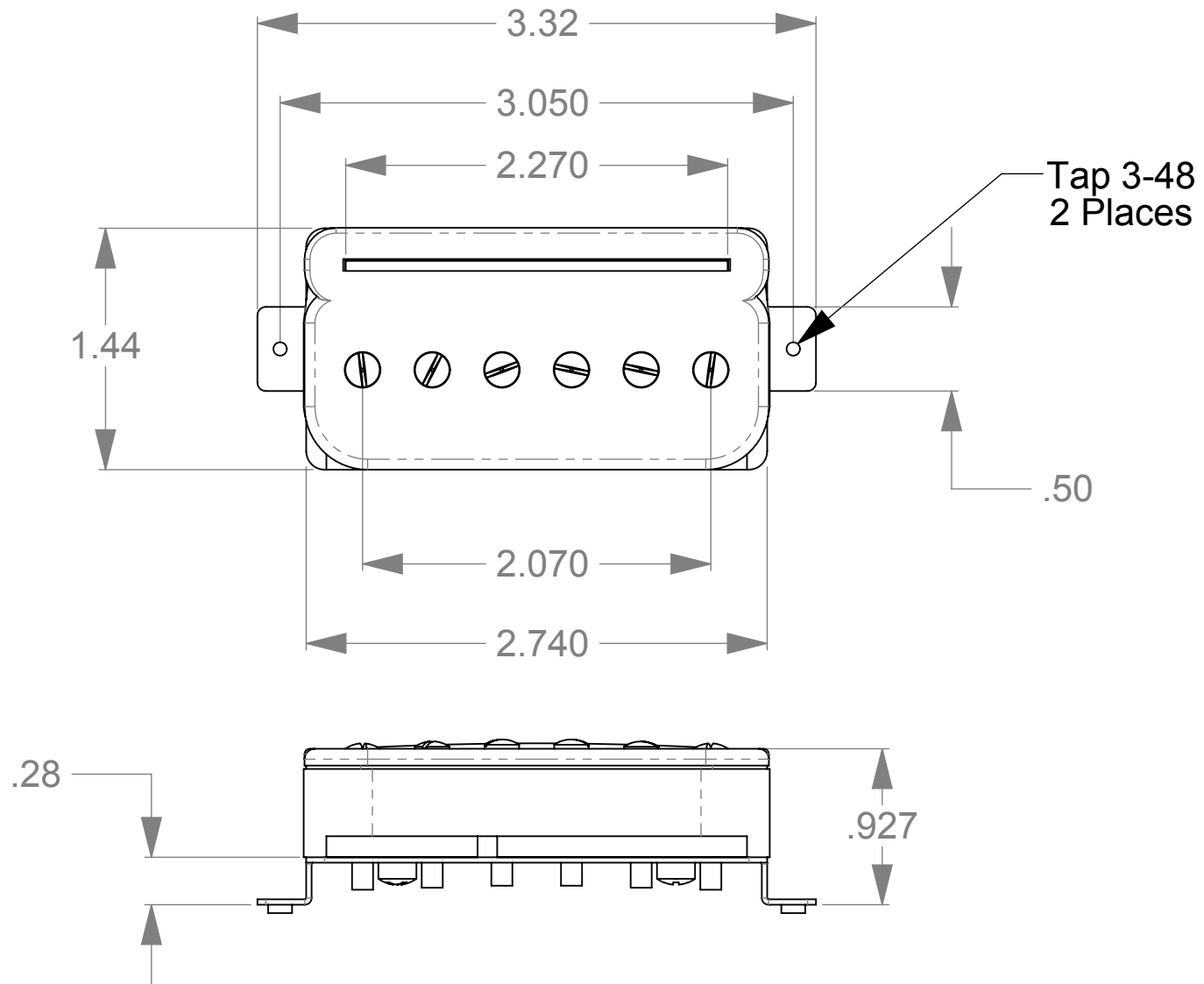


THE INFORMATION CONTAINED IN THIS DRAWING IS THE SOLE PROPERTY OF SEYMOUR DUNCAN RESEARCH. ANY REPRODUCTION IN PART OR WHOLE WITHOUT THE WRITTEN PERMISSION OF SEYMOUR DUNCAN RESEARCH IS PROHIBITED.



UNLESS OTHERWISE SPECIFIED
DIMENSIONS ARE IN INCHES
TOLERANCES ARE:
FRACTIONS DECIMALS ANGLES
.XX ± .01 ± 1
.XXX ± .005

MATERIAL
XXX
FINISH
XXX
DO NOT SCALE DRAWING

CAD GENERATED DRAWING,
DO NOT MANUALLY UPDATE

APPROVALS	DATE
DRAWN <i>C.Scott Forbes</i>	08/23/2010
CHECKED	
RESP ENG <i>Kevin Beller</i>	
MFG ENG	
QUAL ENG	

SEYMOUR DUNCAN RESEARCH

**Profile Drawing
P-Rails, Trem Spaced**

SIZE A DWG. NO. **XXXXXXX** REV. **X**

SCALE: 1:1 FILE: ENGR:\ Sheet 1 of 1