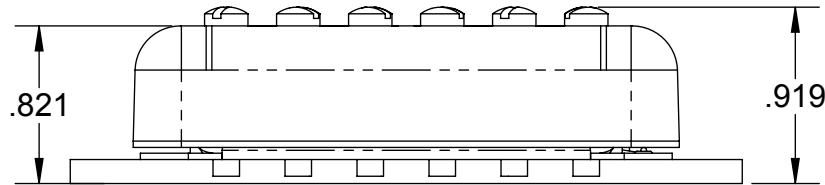
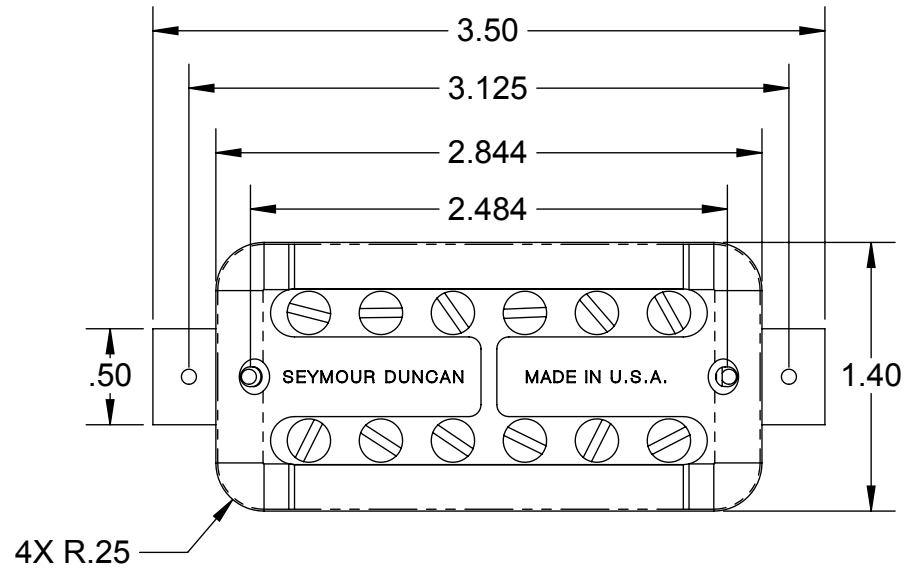


THE INFORMATION CONTAINED IN THIS DRAWING IS THE SOLE PROPERTY OF SEYMOUR DUNCAN RESEARCH. ANY REPRODUCTION IN PART OR WHOLE WITHOUT THE WRITTEN PERMISSION OF SEYMOUR DUNCAN RESEARCH IS PROHIBITED.

REVISIONS			
REV.	DESCRIPTION	DATE	APPROVED
1			



UNLESS OTHERWISE SPECIFIED DIMENSIONS ARE IN INCHES TOLERANCES ARE: FRACTIONS DECIMALS ANGLES .XX ± .01 ± 1 .XXX ± .005	CAD GENERATED DRAWING, DO NOT MANUALLY UPDATE		<b>SEYMOUR DUNCAN RESEARCH</b>		
	APPROVALS	DATE			
	MATERIAL	DRAWN <i>Steven Casado</i>	1/23/2018	<b>Envelope Drawing</b> <b>Psyclone, 404319 Mounting Bar</b>	
	FINISH	CHECKED			
DO NOT SCALE DRAWING	RESP ENG <i>Kevin Beller</i> MFG ENG				
	QUAL ENG		SIZE A	DWG. NO.	REV. <b>1</b>
SCALE : 1:1				Sheet 1 of 1	