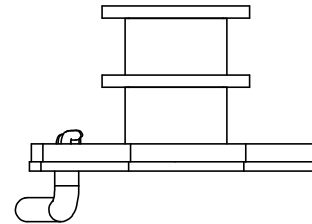
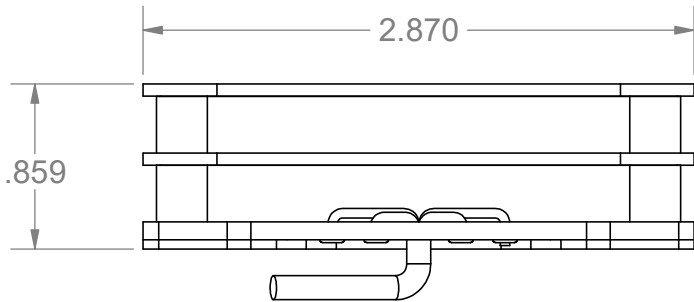
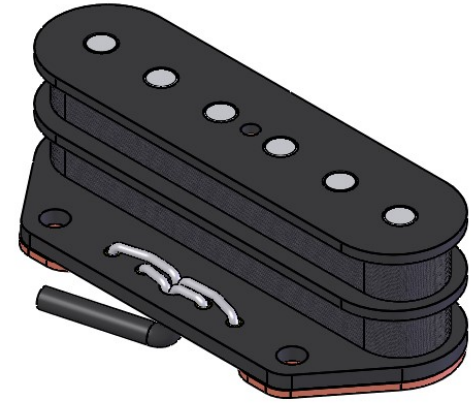
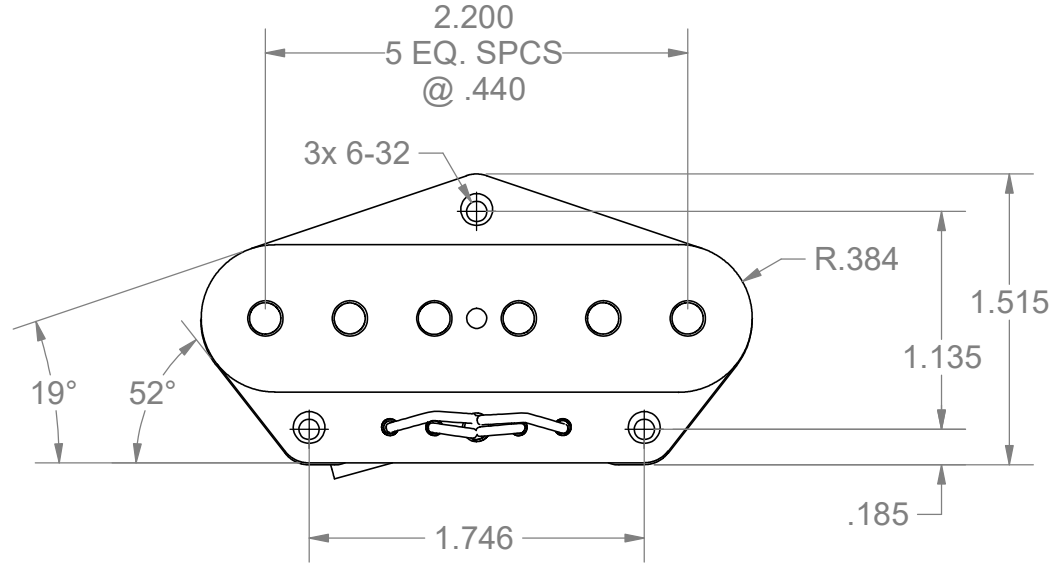


THE INFORMATION CONTAINED IN THIS DRAWING IS THE SOLE PROPERTY OF SEYMOUR DUNCAN RESEARCH. ANY REPRODUCTION IN PART OR WHOLE WITHOUT THE WRITTEN PERMISSION OF SEYMOUR DUNCAN RESEARCH IS PROHIBITED.

REV.	DESCRIPTION	DATE	BY
1	Pre-released	9/14/2022	RS



UNLESS OTHERWISE SPECIFIED DIMENSIONS ARE IN INCHES TOLERANCES ARE: FRACTIONS DECIMALS ANGLES .XX ± .01 ± 1 .XXX ± .005	CAD GENERATED DRAWING. DO NOT MANUALLY UPDATE		SEYMOUR DUNCAN RESEARCH Envelope Drawing BG 1400	
	APPROVALS	DATE		
	DRAWN Rick S.	9/14/2022	A	11203-34-X-ENV.
	CHECKED			REV. 1
MATERIAL	RESP ENG Kevin Beller		SCALE: 1:1	Sheet 1 of 1
FINISH	MFG ENG			
DO NOT SCALE DRAWING	QUAL ENG			