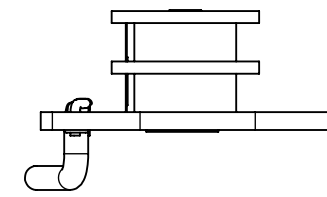
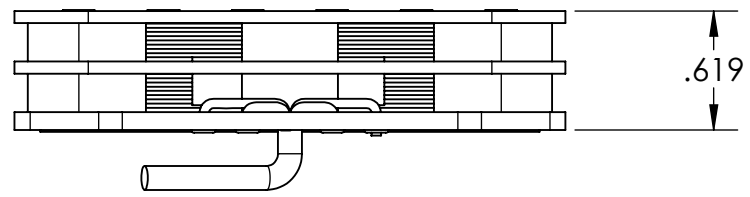
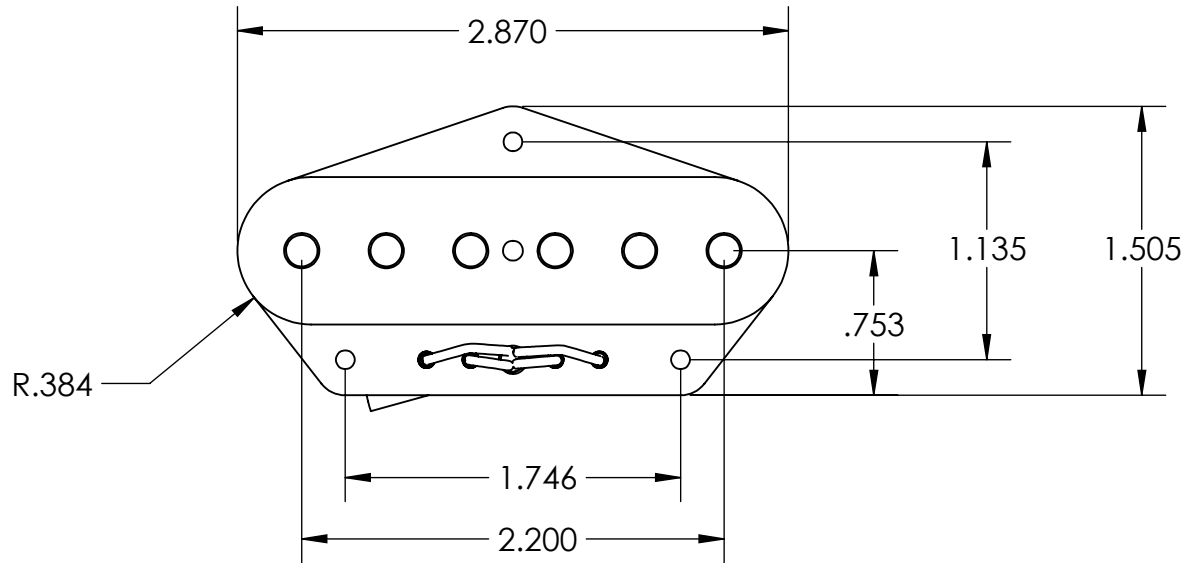


THE INFORMATION CONTAINED IN THIS DRAWING IS THE SOLE PROPERTY OF SEYMOUR DUNCAN RESEARCH. ANY REPRODUCTION IN PART OR WHOLE WITHOUT THE WRITTEN PERMISSION OF SEYMOUR DUNCAN RESEARCH IS PROHIBITED.

ZONE	REV	DESCRIPTION	DATE	BY
------	-----	-------------	------	----



UNLESS OTHERWISE SPECIFIED DIMENSIONS ARE IN INCHES TOLERANCES ARE: FRACTIONS .XX ± .01 ANGLES ± 1 DECIMALS .XXX ± .005	CAD GENERATED DRAWING, DO NOT MANUALLY UPDATE		SEYMOUR DUNCAN RESEARCH		
	APPROVALS	DATE			
	MATERIAL	DRAWN <i>Kevin Beller</i>	5/15/2024	Dimension Drawing Hot Chicken Tele, bridge	
	FINISH	CHECKED			
DO NOT SCALE DRAWING	RESP ENG <i>Kevin Beller</i>		SIZE A	DWG. NO.	REV. 01
	MFG ENG		SCALE : 1:1		Sheet 1 of 1