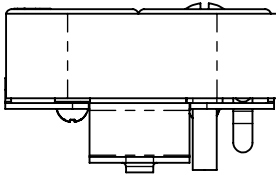
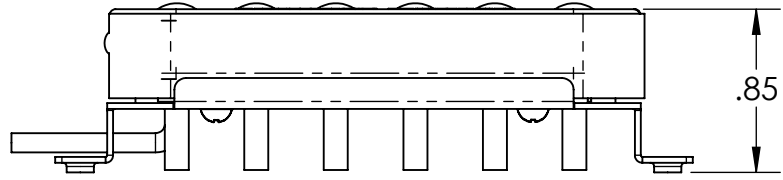
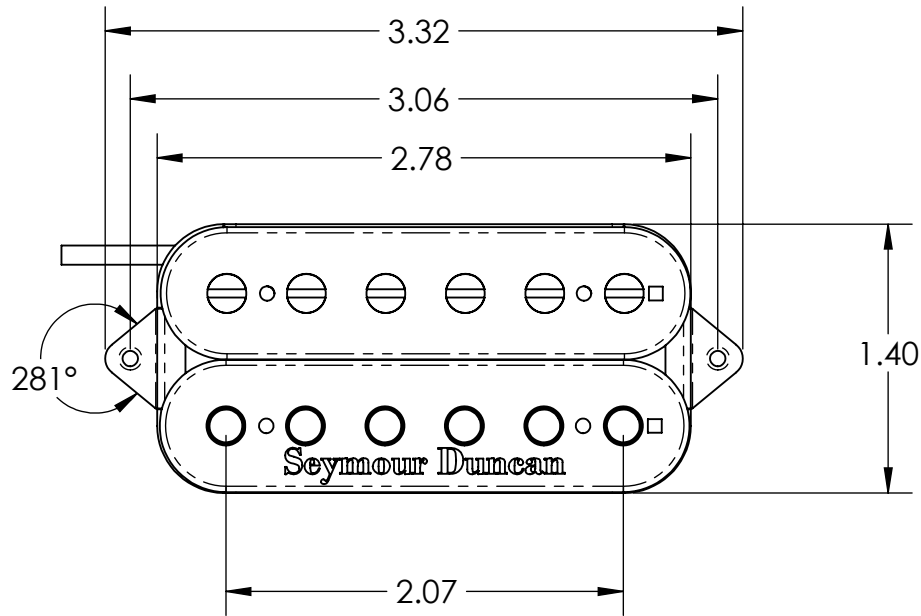


THE INFORMATION CONTAINED IN THIS DRAWING IS THE SOLE PROPERTY OF SEYMOUR DUNCAN RESEARCH. ANY REPRODUCTION IN PART OR WHOLE WITHOUT THE WRITTEN PERMISSION OF SEYMOUR DUNCAN RESEARCH IS PROHIBITED.

ZONE	REV	DESCRIPTION	DATE	BY



UNLESS OTHERWISE SPECIFIED DIMENSIONS ARE IN INCHES TOLERANCES ARE: FRACTIONS DECIMALS ANGLES .XX ± .01 ± 1 .XXX ± .005	CAD GENERATED DRAWING, DO NOT MANUALLY UPDATE		SEYMOUR DUNCAN RESEARCH		
	APPROVALS	DATE			
	MATERIAL	DRAWN <i>Kevin Beller</i>	5/14/2024	Dimension Drawing 6-String, Passive TB, triangle feet	
	FINISH	CHECKED	RESP ENG <i>Kevin Beller</i>		
DO NOT SCALE DRAWING	QUAL ENG	MFG ENG			
SIZE A		DWG. NO.		REV. 1	
SCALE : 1:1			Sheet 1 of 1		